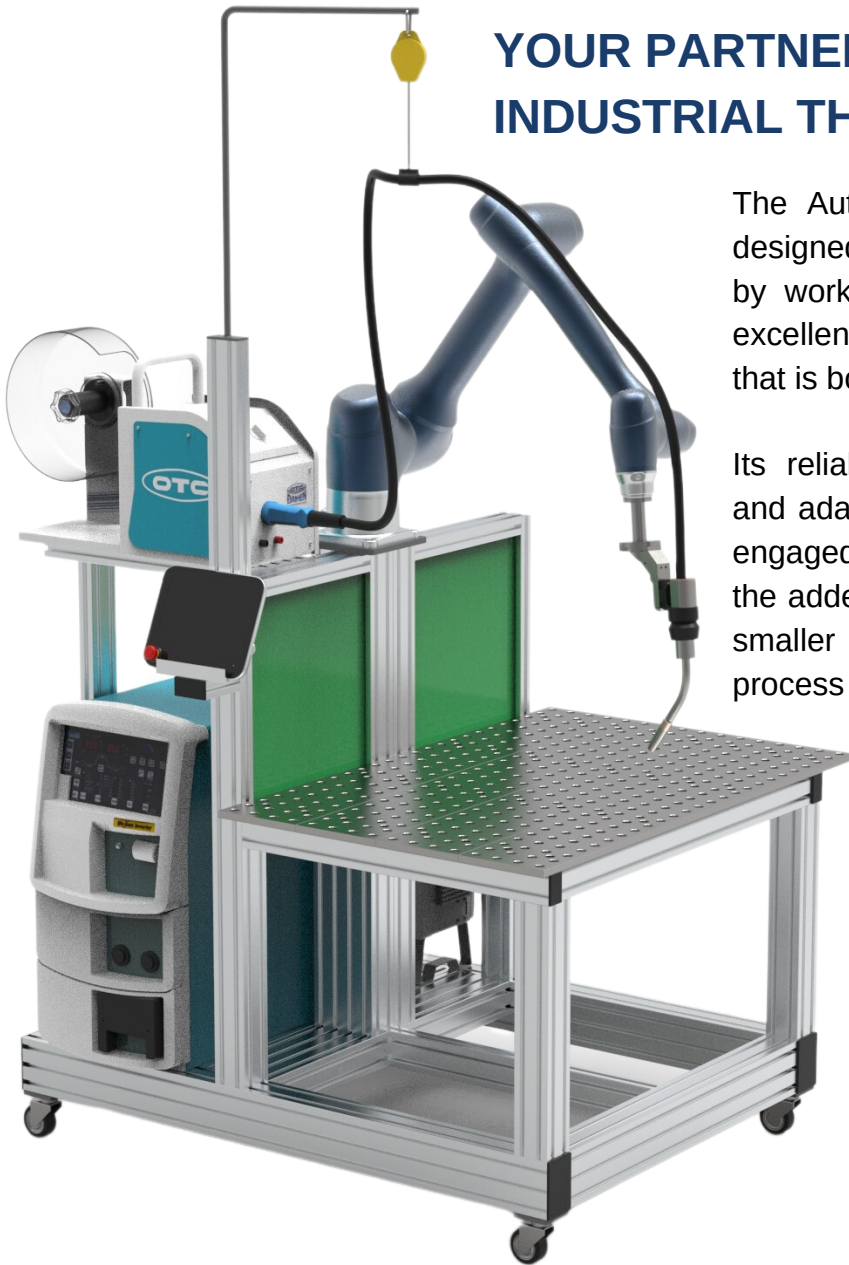


AUTO-COWELD

YOUR PARTNER IN WELDING, DELIVERING INDUSTRIAL THROUGHPUT AND QUALITY.

The Auto-CoWeld is a collaborative robotic system designed to enhance workplace safety and productivity by working alongside human welders, making it an excellent starting point for low-cost welding automation that is both flexible and efficient.

Its reliable performance, user-friendly programming, and adaptability make it an ideal choice for engineers engaged in low-volume, high-mix manufacturing, with the added benefit of economical automated welding of smaller batches through its quick and easy teaching process via the Doosan teach pendant.



**AVAILABLE
TO ORDER**

OR LEASE OPTIONS
FROM ONLY
\$570.00+gst
PER WEEK

MOBILE
FOOTPRINT

**DOOSAN COBOT WELDER
WITH MOBILE TROLLEY**

DOOSAN



AUTO-COWELD SPECIFICATIONS

- Space-Efficient Design

Seamlessly integrate the compact cobot into your existing production setup.

- Swift and Effortless Programming

Achieve automated welding even for single-unit production with ease.

- Outstanding Welding Precision

Ensure consistent, high-quality results for maximum productivity.

- Impressive Return on Investment

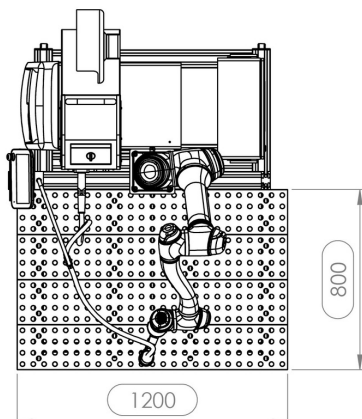
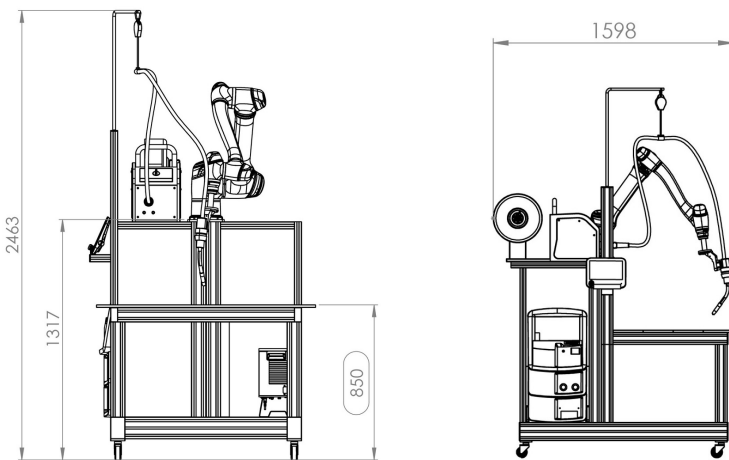
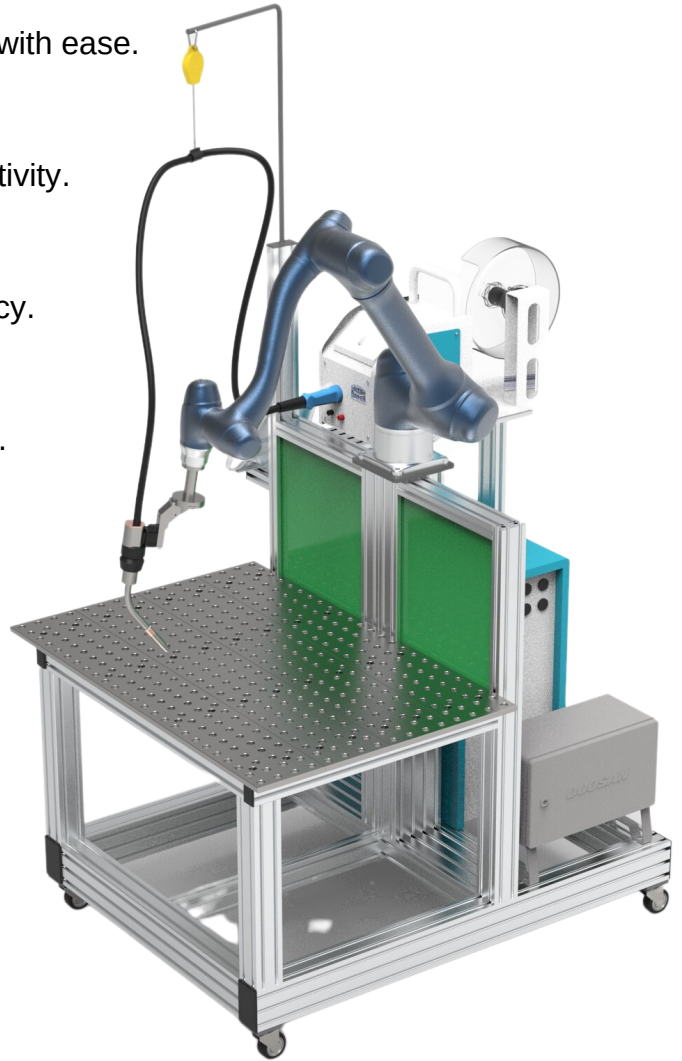
Experience rapid payback and enhanced economic efficiency.

- Comprehensive "Weld-Ready" Solution

Get your welding system up and running in just a few hours.

- User-Friendly Interface

Master robot programming without any prior experience



Featured Products: Doosan Cobot Model A0912 , OTC Welbee P502L Low Spatter Welding Power Source and Torch, 1200mm x 800mm D16 Nitride Welding Table on Mobile Trolley.