

AUTO-COPAL



ZERO
FOOTPRINT

DOOSAN COBOT PALLETISER WITH LIFT AND GRIPPER.

The Auto-Copal is a collaborative robotic system designed to automate the palletising process, which can help increase productivity, reduce costs and improve safety in manufacturing facilities.

It can handle various types of products and pallet configurations, making it a versatile solution that can be adapted to different manufacturing processes. The cobot palletiser picks cartons or boxes from a conveyor belt and places them on a pallet in the required configuration, eliminating the need for manual intervention and reduces the risk of errors.

The Auto-Copal is a reliable and efficient solution for companies looking to streamline their palletising process and increase productivity.

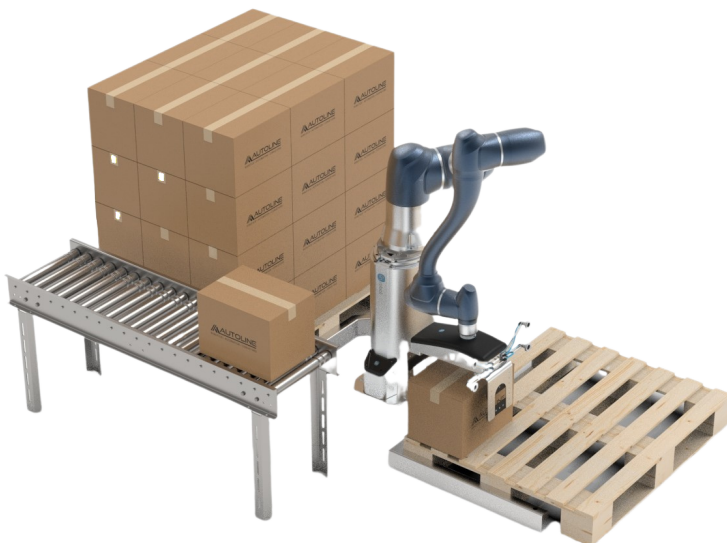
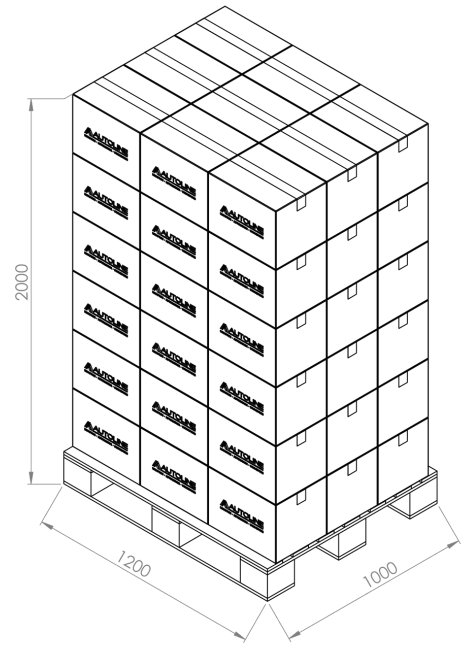
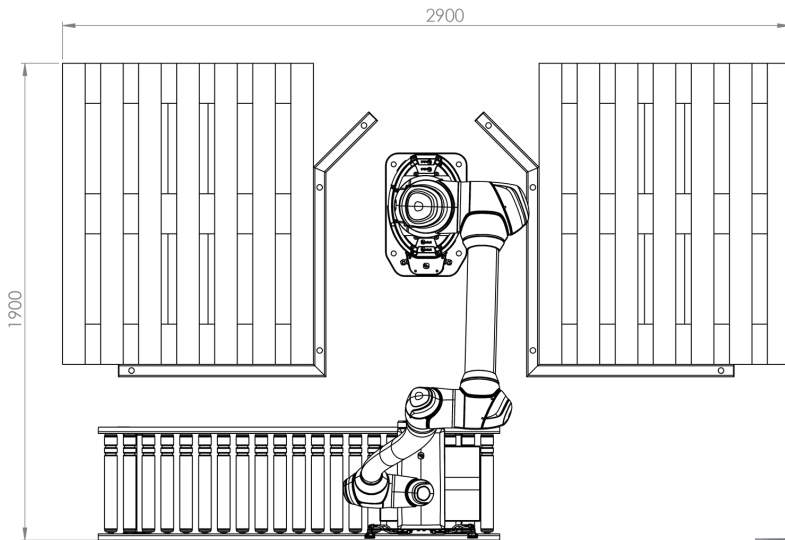
**AVAILABLE
TO ORDER**
OR LEASE OPTIONS
FROM ONLY
\$505.00+gst
PER WEEK

DOOSAN

onrobot

AUTO-COPAL SPECIFICATIONS

- Compact designed end of line packing solution with smart safety-enabled for operator protection.
- OnRobot offers a wide range of end-of-arm tooling products to optimise your palletising application.
- The Doosan Cockpit allows for easy programming of the robot arm by simply guiding it by hand.
- Palletise two pallets measuring 1200mm x 1000mm on each side, up to 2000mm high.
- Offline programming software enables programming of various pallet configurations.
- Multiple boxes can be picked in one movement too increase speed.
- Capability to automatically insert layer boards.
- Single-phase supply and no air required.
- Payload up to 20kg.



Featured Products: Doosan H2017, OnRobot Lift100, OnRobot 2FGP20 Gripper